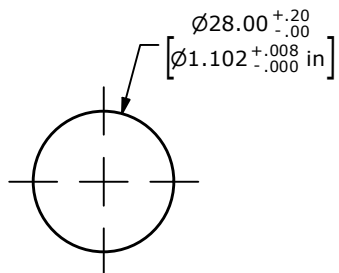
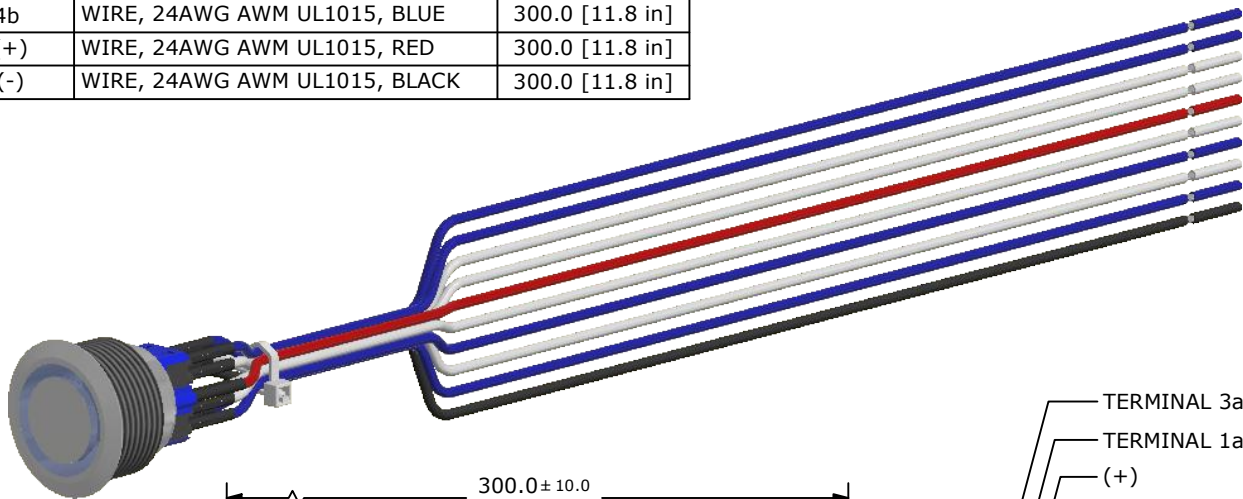


**SCHEMATIC**  
 OFF - (ON) / ON - (OFF) - DPDT ILLUMINATED  
 ( ) DENOTES MOMENTARY FUNCTION

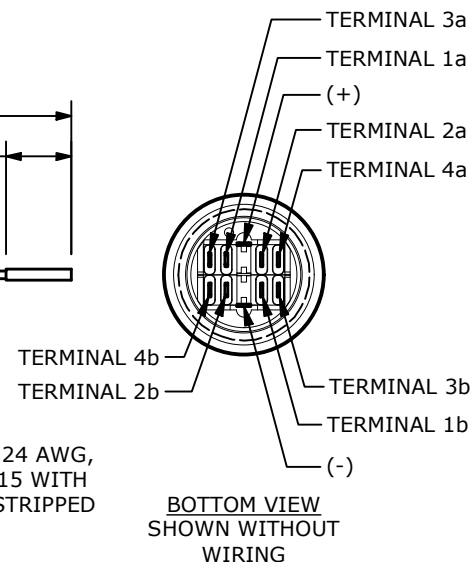
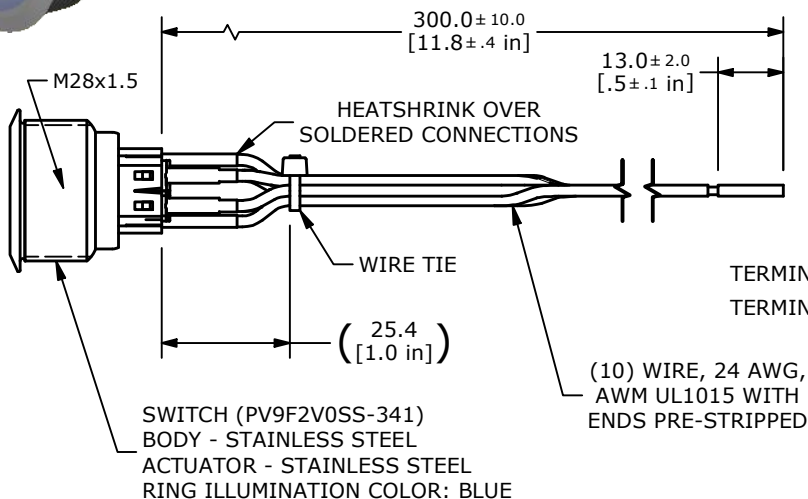
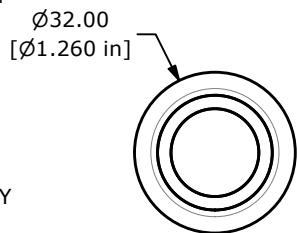


**RECOMMENDED PANEL CUTOUT**  
 MAX. PANEL THICKNESS 10.0 [0.39 in]

SWITCH	WIRE	LENGTH
SW1-1a	WIRE, 24AWG AWM UL1015, WHITE	300.0 [11.8 in]
SW1-2a	WIRE, 24AWG AWM UL1015, WHITE	300.0 [11.8 in]
SW1-3a	WIRE, 24AWG AWM UL1015, BLUE	300.0 [11.8 in]
SW1-4a	WIRE, 24AWG AWM UL1015, BLUE	300.0 [11.8 in]
SW1-1b	WIRE, 24AWG AWM UL1015, WHITE	300.0 [11.8 in]
SW1-2b	WIRE, 24AWG AWM UL1015, WHITE	300.0 [11.8 in]
SW1-3b	WIRE, 24AWG AWM UL1015, BLUE	300.0 [11.8 in]
SW1-4b	WIRE, 24AWG AWM UL1015, BLUE	300.0 [11.8 in]
SW1- (+)	WIRE, 24AWG AWM UL1015, RED	300.0 [11.8 in]
SW1- (-)	WIRE, 24AWG AWM UL1015, BLACK	300.0 [11.8 in]



- NOTE:**
1. ALL DIMENSIONS IN MM [INCH]
  2. GENERAL TOLERANCE: X.X = ± 0.4  
X.XX = ± 0.25
  3. TERMINAL NUMBERS FOR REF. ONLY
  4. FUNCTION: DPDT
  5. RATING: 2A @ 48VDC
  6. CONTACT RESISTANCE: 50mΩ MAX. @ 1A 12VDC
  7. INSULATION RESISTANCE: 1,000MΩ @ 500VDC
  8. DIELECTRIC STRENGTH: 2,000VAC MIN. FOR 1 MINUTE
  9. ELECTRICAL LIFE: 50,000 CYCLES
  10. OPERATING TEMPERATURE: -20°C TO 55°C
  11. INGRESS PROTECTION: IP66
  - ▲ 12. SUPPLIED HARDWARE: O-RING AND HEXNUT
  - ▲ 13. ▲ DENOTES CRITICAL PARAMETER
  - ▲ 14. ILLUMINATION COLOR: BLUE
  - ▲ 15. ILLUMINATION VOLTAGE: BASE VOLTAGE 2.8 V



B	24666	UPDATE THREAD LENGTH TO 15.0	1/4/2021	JM
A	23888	NEW RELEASE	5/8/19	MJR
REV	PCR NO	DESCRIPTION	DATE	BY

TITLE PV9FWV0SS-341				
SCALE 2:3	DATE 5/8/2019	DR MJR	DWG 52-PV9FWV0SS341	REV B

THE INFORMATION CONTAINED IN THIS DOCUMENT IS PROPRIETARY TO E-SWITCH AND IS NOT TO BE COPIED OR TRANSFERRED